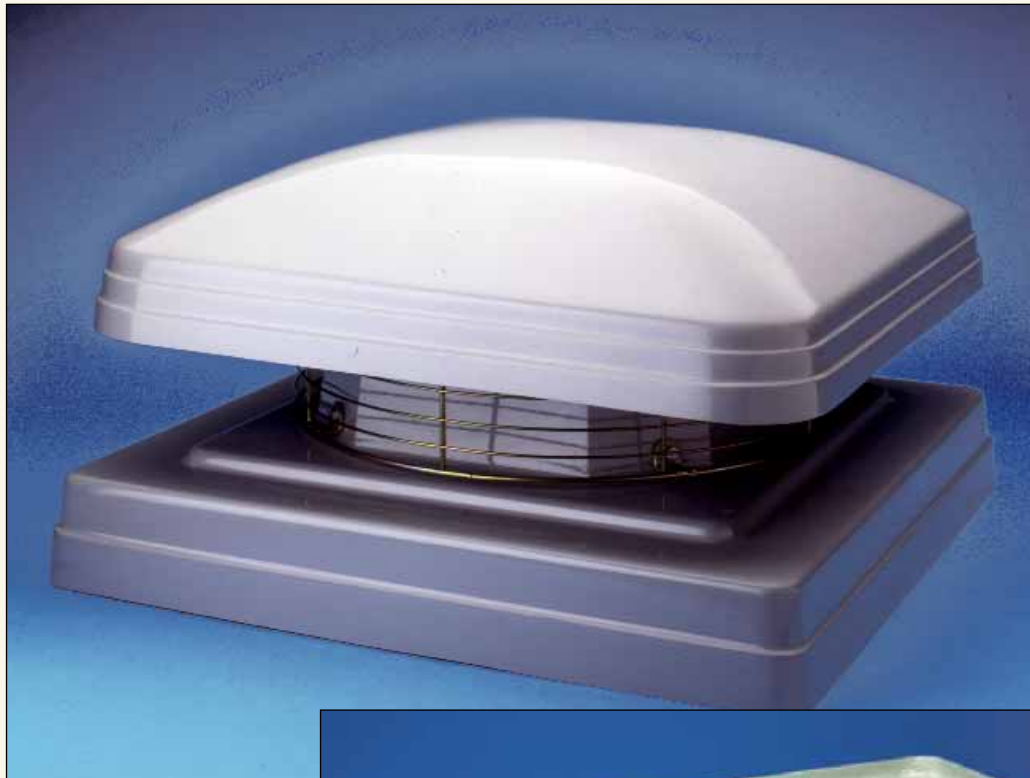


AXIAL ROOF FANS

FOR INDUSTRIAL / COMMERCIAL USE

- “RMA” - Roof Mounted Axial
- “RV” - Roof Vertical Discharge



Uniclass L7534





"RMA" RANGE - TECHNICAL DATA

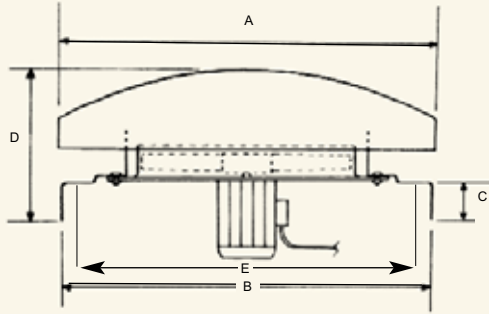
Model	Size		Power kW	Current		dbA at 3m	RPM	Max. Airflow		Duty - m ³ /sec at Pa										Speed Controller	
	ins	cm		1ph	3ph			m ³ /hr	c.f.m.	0	20	40	60	80	100	120	140	160	1ph	3ph	
RMA204	8	20	0.03	0.33	0.16	33	1400	610	360	0.17	0.08	-	-	-	-	-	-	-	-	VC1	VC2AT
* RMA254	10	25	*0.07	0.35	0.16	44	1400	940	555	0.26	0.16	0.08	-	-	-	-	-	-	-	VC1	VC2AT
RMA314	12	31	0.09	0.80	0.35	47	1400	1710	1009	0.48	0.43	0.33	0.20	-	-	-	-	-	-	VC1	VC2AT
RMA354	14	35	0.13	1.10	0.45	52	1400	2510	1481	0.70	0.62	0.48	0.24	-	-	-	-	-	-	VC1	VC2AT
RMA404	16	40	0.18	1.65	0.60	55	1400	3640	2148	1.01	0.93	0.76	0.46	0.34	-	-	-	-	-	VC4M	VC2AT
RMA454	18	45	0.37	3.30	1.20	61	1400	4940	2915	1.37	1.33	1.23	1.01	0.79	0.63	-	-	-	-	VC4M	VC2AT
RMA504	20	50	0.55	4.40	1.60	63	1400	7090	4183	1.97	1.86	1.74	1.63	1.44	1.17	0.79	-	-	-	VC7M	VC2AT
RMA506	20	50	0.08	1.40	0.75	53	840	5190	3062	1.44	1.22	0.95	0.56	-	-	-	-	-	-	VC4M	VC2AT
RMA564	22	56	0.75	5.00	2.20	66	1400	9260	5463	2.57	2.46	2.33	2.19	1.94	1.60	1.22	0.90	0.63	-	VC7AM	VC4AT
RMA566	22	56	0.25	2.20	1.10	55	900	6220	3670	1.73	1.47	1.25	0.92	0.32	-	-	-	-	-	VC4M	VC2AT
RMA634	25	63	1.10	6.70	2.70	71	1400	12300	7257	3.42	3.29	3.17	3.00	2.81	2.53	2.08	1.71	1.46	-	VC7AM	VC4AT
RMA636	25	63	0.37	2.80	1.20	61	950	8390	4950	2.33	2.04	1.78	1.44	1.04	0.36	-	-	-	-	VC4M	VC2AT
RMA714	28	71	2.20	-	5.90	75	1400	16250	9588	4.51	4.39	4.25	4.11	3.94	3.68	3.40	3.08	2.56	-	-	VC7AT
RMA716	28	71	0.75	-	2.50	64	950	10800	6372	3.00	2.75	2.39	2.22	1.60	1.03	0.53	-	-	-	-	VC4AT

* The kW Power on the 3ph version of the RMA254 is 0.03

Model	Size		Power kW	Current		dbA at 3m	RPM	Max. Airflow		Duty - m ³ /sec at Pa											Speed Controller 3ph		
	ins	cm		1ph	3ph			m ³ /hr	c.f.m.	0	50	100	150	200	250	300	350	400	450	500		550	
RMA804A	32	80	4	-	7.6	83	1430	27660	16320	7.68	7.36	6.60	4.97	4.51	3.75	3.14	2.15	-	-	-	-	-	VC10AT
RMA804B	32	80	2.2	-	4.6	81	1420	22500	13275	6.25	5.83	5.07	3.39	3.00	2.13	1.67	-	-	-	-	-	-	VC7AT
RMA806	32	80	1.5	-	3.8	71	940	21600	12744	6.00	4.87	3.87	1.94	-	-	-	-	-	-	-	-	-	VC4AT
RMA1004A	40	100	7.5	-	14.2	92	1465	46100	27200	12.81	12.17	11.58	10.89	10.00	8.75	7.22	6.39	4.86	4.86	4.11	3.33	-	-
RMA1004B	40	100	5.5	-	10.6	90	1465	38700	22833	10.75	10.00	9.06	7.92	6.17	5.28	4.58	3.89	2.99	2.03	-	-	-	VC14AT
RMA1006	40	100	3	-	6.8	81	960	35600	21004	9.89	8.75	7.36	4.65	3.26	2.22	1.11	-	-	-	-	-	-	VC7AT

- Notes:
- (1) Speed controllers VC1, VC4M and VC7M are the variable speed electronic type. (See page 5 for speed controller dimensions)
All others; VC7AM, VC2AT etc. are 5-speed auto-transformer type.
 - (2) If flameproof motors are fitted, speed controllers cannot be used.
 - (3) Optional backdraught shutters are available for RMA models. These are factory fitted and must be ordered with the fan.
 - (4) Soaker sheets are available in a large range of profiles. The exact profile must be stated when ordering.

“RMA” RANGE - DIMENSIONS (mm)



E = maximum width of upstand

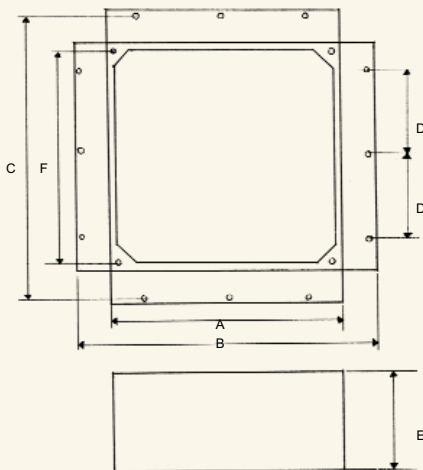
Model	A	B	C	D	E	kg
RMA204	490	485	90	310	455	8.25
RMA254	490	485	90	310	455	10.25
RMA314	555	545	90	340	515	14.50
RMA354	675	685	90	380	655	17.50
RMA404	765	790	90	460	760	22.00
RMA454	765	790	90	460	760	26.00
RMA504	995	925	120	550	895	41.00
RMA506	995	925	120	550	895	41.00
RMA564	995	925	120	550	895	43.00
RMA566	995	925	120	550	895	40.00
RMA634	1115	1045	120	650	1015	53.00
RMA636	1115	1045	120	650	1015	49.00
RMA714	1115	1045	120	650	1015	62.00
RMA716	1115	1045	120	650	1015	54.00
RMA804A/B	1410	1165	100	750	1135	89/80
RMA806	1410	1165	100	750	1135	80.00
RMA1004A/B	1630	1370	80	750	1330	140/137
RMA1006	1630	1370	80	750	1330	136

SOUND POWER LEVELS - MID OCTAVE BANDS (Hz)

Model	63	125	250	500	1000	2000	4000	8000
RMA204	23	41	44	48	49	47	44	39
RMA254	35	53	55	60	61	59	56	51
RMA314	38	56	58	63	64	62	59	54
RMA354	42	60	62	67	68	66	63	58
RMA404	45	63	66	70	71	69	66	61
RMA454	52	70	72	77	78	76	73	68
RMA504	53	71	74	78	79	77	74	69
RMA506	43	61	64	68	69	67	64	59
RMA564	55	66	83	80	81	79	76	71
RMA566	45	63	65	70	71	69	66	61
RMA634	61	79	82	86	87	85	82	77
RMA636	52	70	72	77	78	76	73	68
RMA714	65	76	92	90	91	89	86	81
RMA716	55	73	75	80	81	79	76	71
RMA804A	69	80	96	95	95	93	90	85
RMA804B	67	78	95	92	93	91	88	83
RMA806	59	77	80	84	85	83	80	75
RMA1004A	80	91	107	105	106	104	101	96
RMA1004B	79	90	104	102	103	102	97	93
RMA1006	71	89	97	98	96	95	89	85

- 12 sizes from 200mm to 1000mm
- Airflow from 610 to 45,000 m³/hr
- Glass fibre, weatherproof cowl and base
- Blade in reinforced polypropylene
- Blade hub in die-cast aluminium
- Class 'F' motor insulation
- Suitable for operation in air temperatures between -20°C to +60°C
- IP55 Protection
- Low noise level combined with high efficiency
- **Also available:**
 - Speed Controllers
 - Soaker Sheets
 - Purlin Boxes
- Optional flameproof models, ATEX rated, supplied with test certificate

PURLIN BOX - DIMENSIONS (mm)

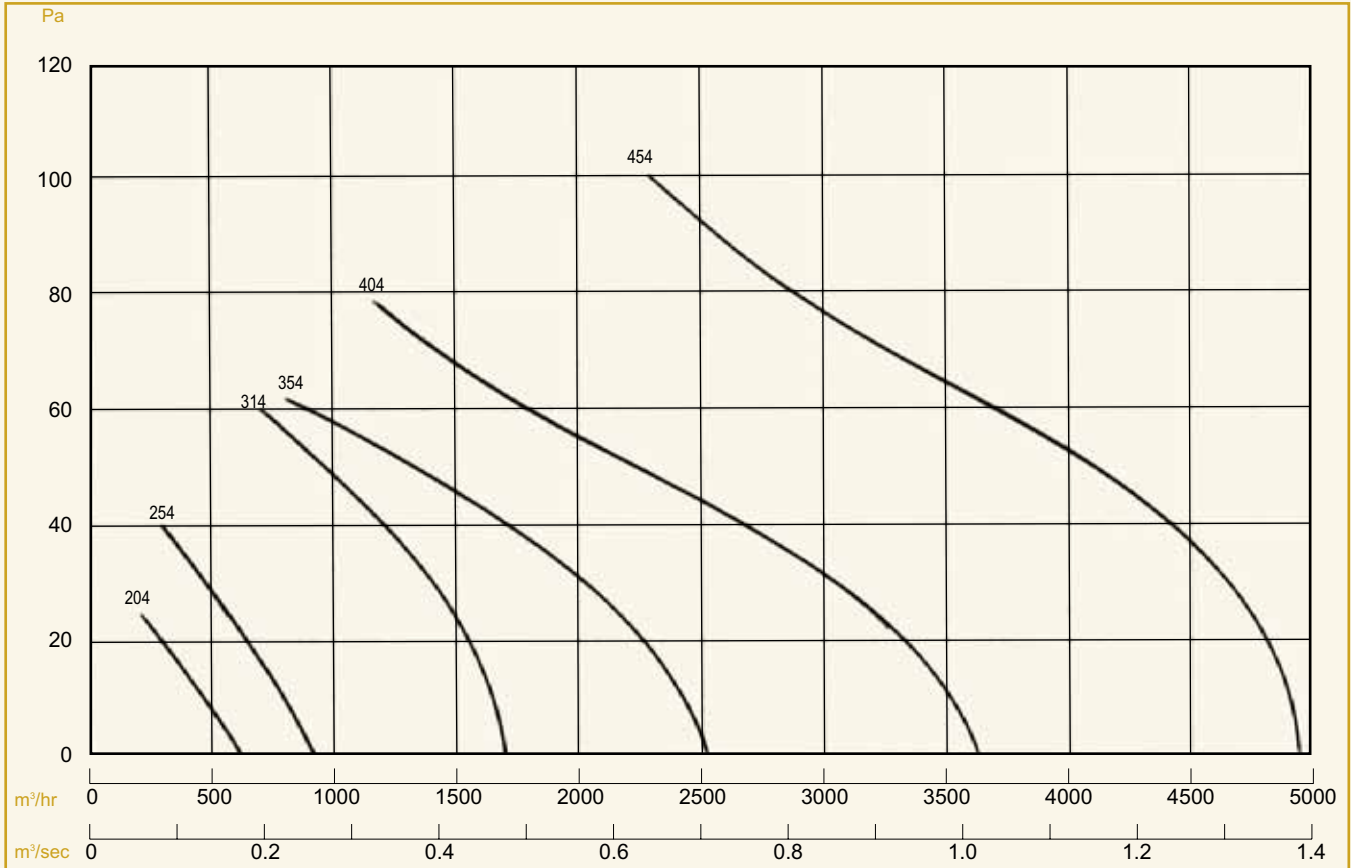


Code	A	B	C	D	E	F
PURL200	290	470	430	230*	250	250
PURL250	340	520	480	280*	250	300
PURL300	390	570	530	350*	250	350
PURL350	440	620	580	360*	250	400
PURL400	490	670	630	410*	250	450
PURL450	540	720	680	250	250	500
PURL500	650	830	790	280	250	600
PURL560	700	880	840	300	250	630
PURL630	800	980	940	350	250	730
PURL710	850	1030	990	375	250	800
PURL800	1000	1180	1140	400	300	800
PURL1000	1250	1430	1390	525	300	1000

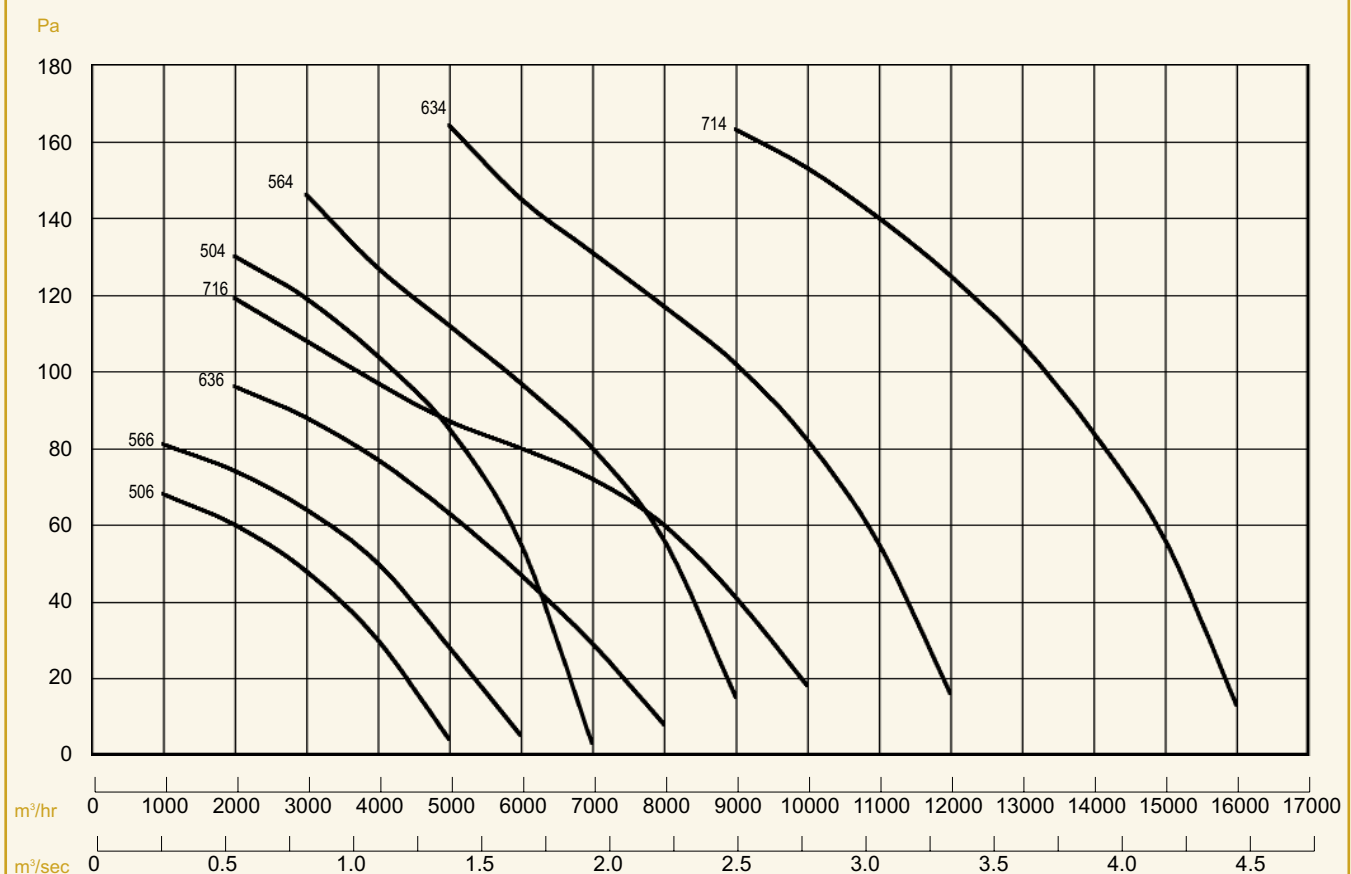
* 2 Holes only per flange
Purlin boxes available for both "RMA" and "RV" ranges



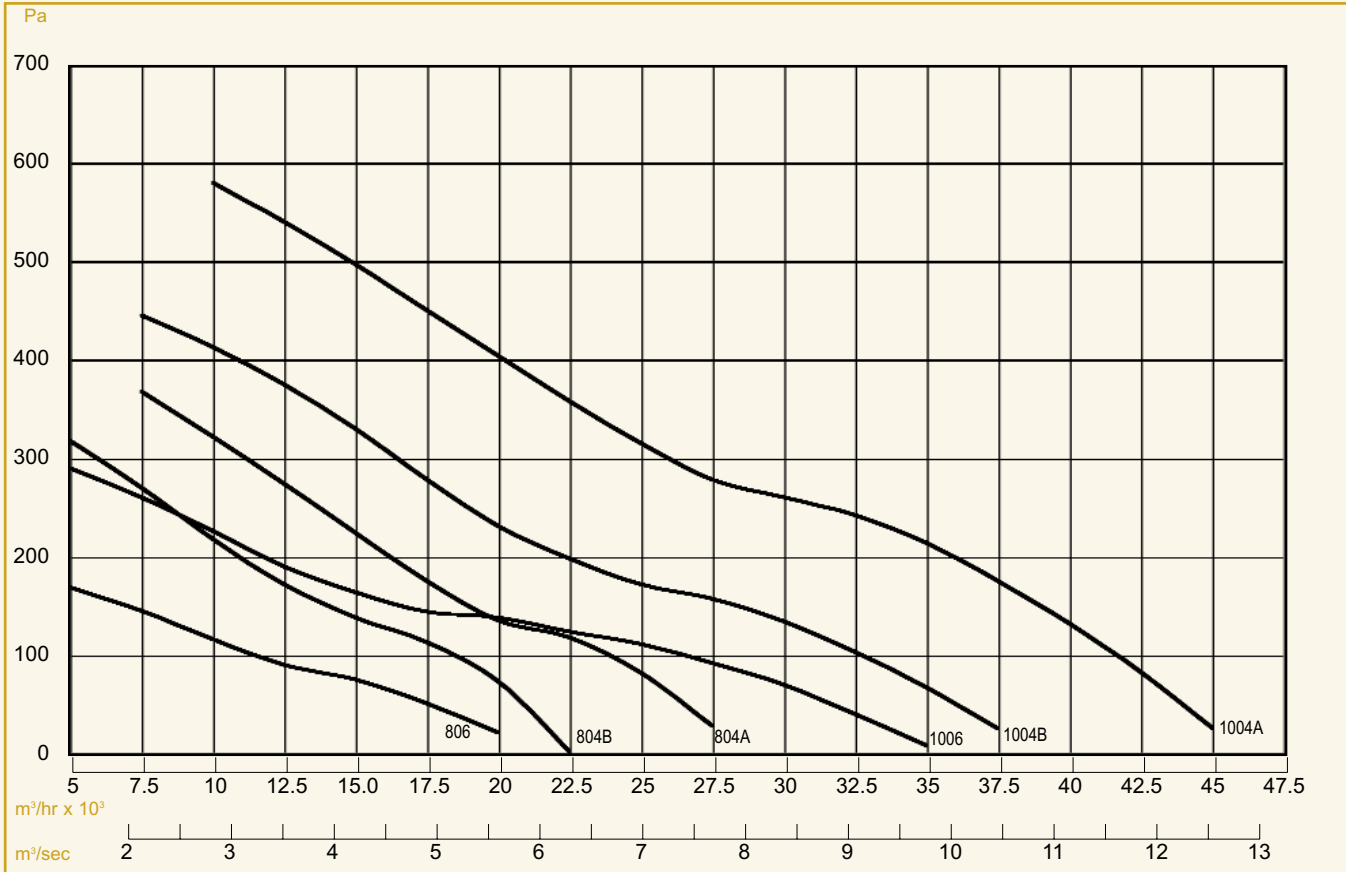
PERFORMANCE CURVES "RMA" 200 - 450 - 4 POLE



PERFORMANCE CURVES "RMA" 500 - 710 - 4/6 POLE

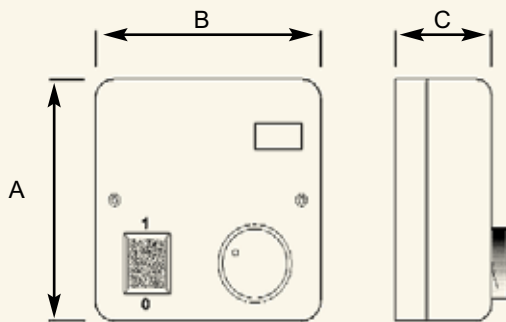


PERFORMANCE CURVES "RMA" 800 - 1000 - 4/6 POLE



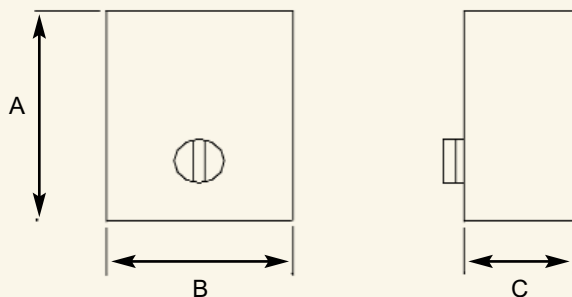
SPEED CONTROLLERS - DIMENSIONS (mm)

VC1 & VC4M controllers



Code	A (height)	B (width)	C (depth)
VC1	111	111	50
VC4M	111	111	50
VC7M	118	118	72

All controllers except VC1 & VC4M

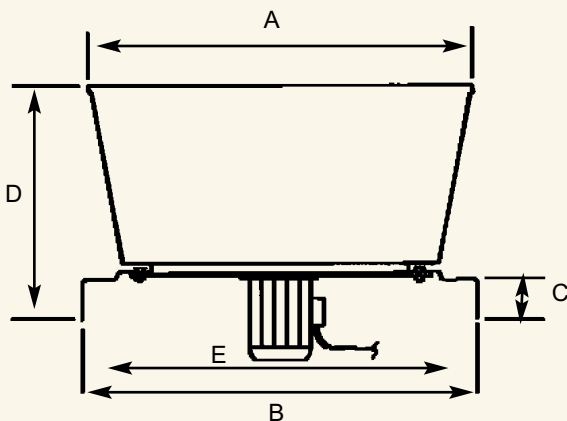


Code	A (height)	B (width)	C (depth)
VC7AM	312	262	126
VC2AT	255	190	110
VC4AT	312	262	126
VC7AT	316	253	143
VC10AT	400	300	200
VC14AT	290	400	141

“RV” RANGE - TECHNICAL DATA

Model	Size		Power kW	Current		dbA at 3m	RPM	Max. Airflow		Duty - m ³ /sec at Pa										Speed Controller	
	ins	cm		1ph	3ph			m ³ /hr	c.f.m.	0	20	40	60	80	100	120	140	160	180	200	1ph
RV404	16	40	0.18	1.65	0.60	55	1400	4390	2590	1.22	1.16	1.07	0.95	0.69	-	-	-	-	-	VC4M	VC2AT
RV454	18	45	0.37	3.30	1.20	61	1400	5830	3440	1.62	1.51	1.43	1.31	1.17	0.97	0.61	-	-	VC4M	VC2AT	
RV504	20	50	0.55	4.40	1.60	63	1400	7670	4525	2.13	2.05	1.94	1.82	1.67	1.46	1.17	0.72	-	VC7M	VC2AT	
RV506	20	50	0.18	1.40	0.75	53	840	5400	3186	1.5	1.34	1.11	0.77	-	-	-	-	-	VC4M	VC2AT	
RV564	22	56	0.75	5.00	2.20	66	1400	10330	6095	2.87	2.77	2.64	2.49	2.35	2.14	1.78	1.27	1.00	VC7AM	VC4AT	
RV566	22	56	0.25	2.20	1.10	55	900	7200	4248	2.00	1.81	1.58	1.29	0.79	-	-	-	-	VC4M	VC2AT	
										0	50	100	150	200	250	300	350	400			
RV634	25	63	1.10	6.7	2.70	71	1400	13610	8030	-	3.44	2.89	2.22	1.28	-	-	-	-	VC7AM	VC4AT	
RV636	25	63	.037	2.8	1.20	61	950	9100	5369	2.53	1.94	0.97	-	-	-	-	-	-	VC4M	VC2AT	
RV714	28	71	2.20	-	5.90	75	1400	17100	10090	-	4.22	3.68	3.06	2.22	0.96	-	-	-	-	VC7AT	
RV716	28	71	0.75	-	2.50	64	950	12900	7611	3.58	2.68	1.11	-	-	-	-	-	-	-	VC4AT	
RV804A	32	80	4.00	-	7.60	83	1430	32900	19411	9.14	8.44	7.83	7.00	5.39	4.24	3.44	2.74	2.03	-	VC10AT	
RV804B	32	80	2.20	-	4.60	81	1420	25600	15104	7.11	6.63	6.06	5.31	3.86	2.82	2.14	1.53	-	-	VC7AT	
RV806	32	80	1.50	-	3.80	71	940	24400	14396	6.78	5.69	3.69	2.08	-	-	-	-	-	-	VC4AT	

DIMENSIONS (mm)



E = maximum
width of upstand

Model	A	B	C	D	E	kg
RV404	790	790	100	585	760	22
RV454	790	790	100	585	760	28
RV504	950	925	110	700	895	41
RV506	950	925	110	700	895	41
RV564	950	925	110	700	895	43
RV566	950	925	110	700	895	43
RV634	1030	1045	110	800	1015	53
RV636	1030	1045	110	800	1015	53
RV714	1030	1045	110	800	1015	62
RV716	1030	1045	110	800	1015	62
RV804A	1140	1180	40	670	1160	94
RV804B	1140	1180	40	670	1160	85
RV806	1140	1180	40	670	1160	85

SOUND POWER LEVELS - MID OCTAVE BANDS (Hz)

Model	63	125	250	500	1000	2000	4000	8000
RV404	45	63	66	70	71	69	66	61
RV454	52	70	72	77	78	76	73	68
RV504	53	71	74	78	79	77	74	69
RV506	43	61	64	68	69	67	64	59
RV564	55	66	83	80	81	79	76	71
RV566	45	63	65	70	71	69	66	61
RV634	61	79	82	86	87	85	82	77
RV636	52	70	72	77	78	76	73	68
RV714	65	76	92	90	91	89	86	81
RV716	55	73	75	80	81	79	76	71
RV804A	69	80	96	95	95	93	90	85
RV804B	67	78	95	92	93	91	88	83
RV806	59	77	80	84	85	83	80	75

- 7 sizes from 400mm to 800mm
- Airflow from 4,390 to 32,900 m³/hr
- Glass fibre, weather proof funnel and base
- Blade in reinforced polypropylene
- Blade hub in die-cast aluminium
- Complete with backdraught shutter
- Class 'F' motor insulation
- Suitable in air temperatures between -20°C to +60°C
- IP55 Protection
- Low noise level combined with high efficiency

• Also available:

- Speed Controllers

- Full range of Accessories

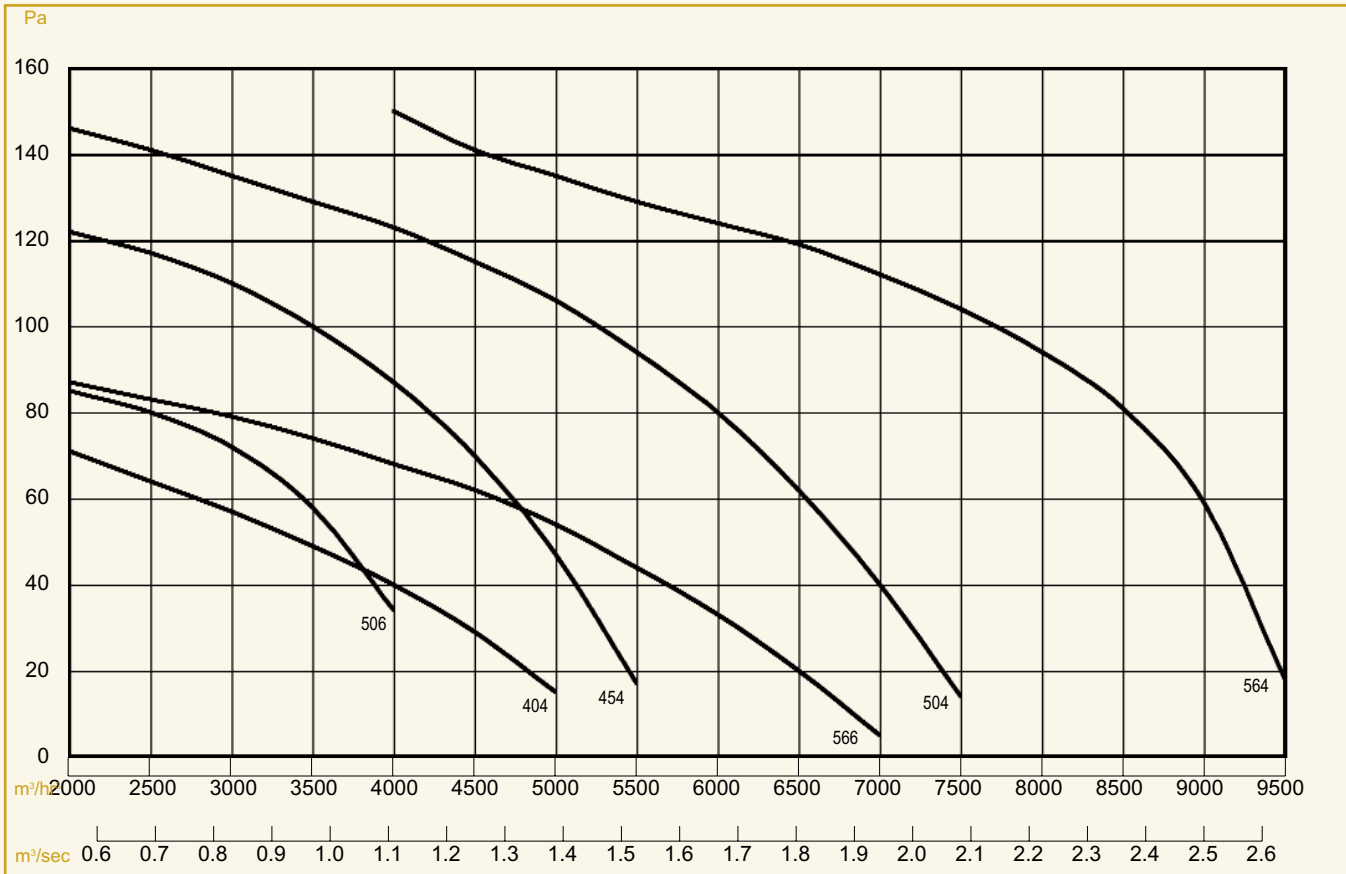
- “RVHT” Emergency Smoke Extract (“Smokex”®) version with

- Robust steel casing
- Fans in resilient epoxy paint finish
- Galvanised steel base and funnel
- Weatherproof shutters in galvanised steel

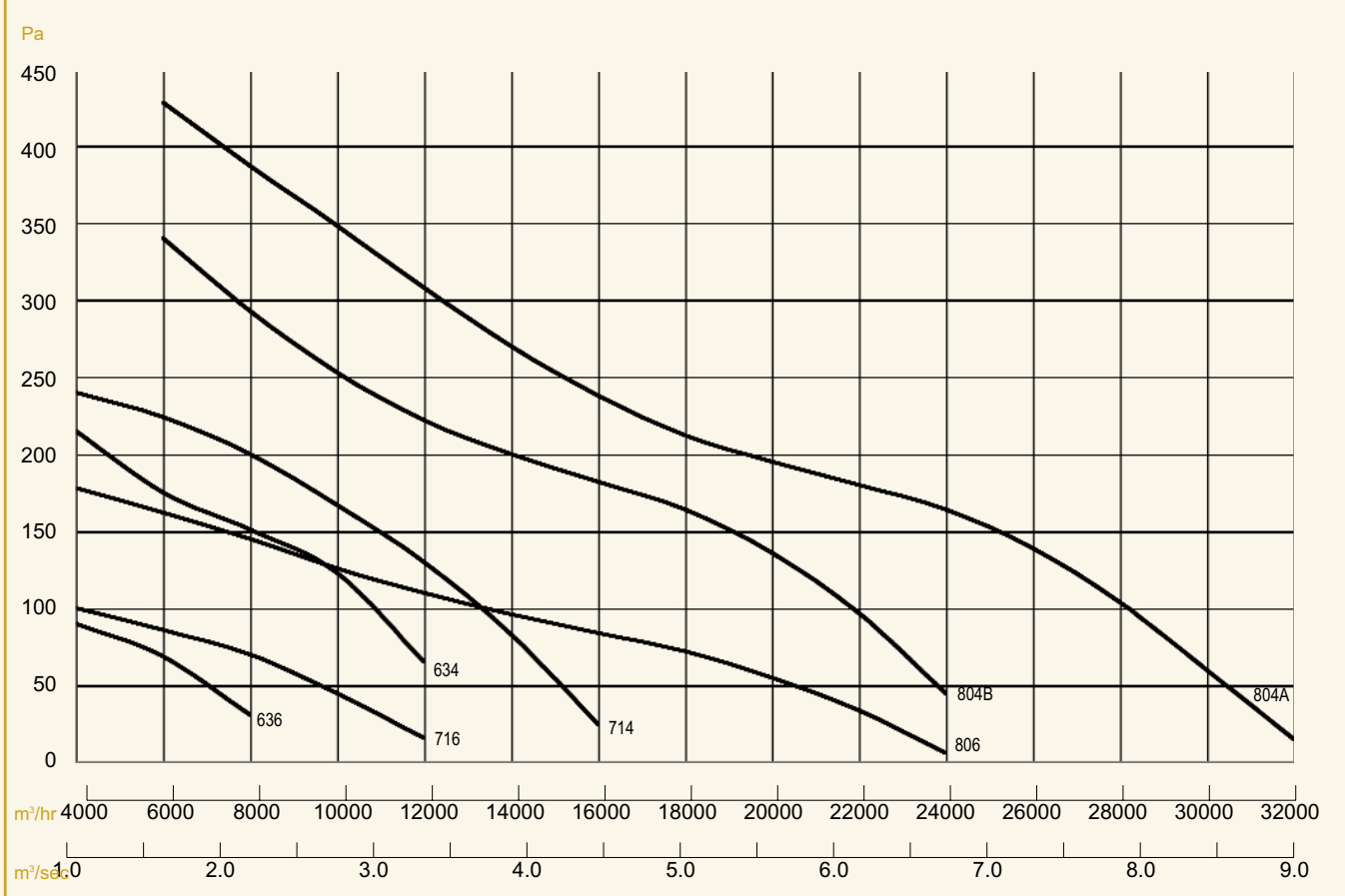
- (see full details in “Smokex” leaflet)



PERFORMANCE CURVES "RV" 400 - 560



PERFORMANCE CURVES "RV" 630 - 800



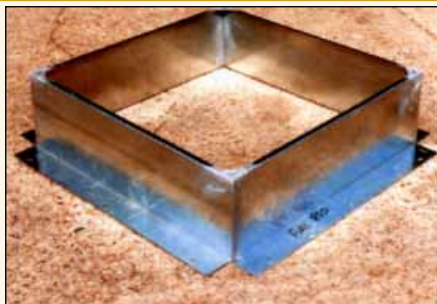
"RMA" and "RV" RANGES - ACCESSORIES



Speed Controllers - Most fans are fully adjustable using either electronic or transformer controllers (*cannot be used with explosion proof fans*).

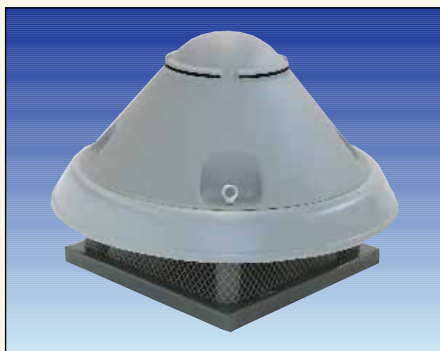


Soaker Sheets - A full range of the most commonly used profiles is available for all fans sizes. Manufactured in glass fibre, they offer a convenient method of weatherproofing for profiled roofs.



Purlin Boxes - These are available for use with soaker sheets to provide a solid fixing for the fans to the roof support structure. They are manufactured in galvanized steel (dimensions page 3)

OTHER VECTAIRE INDUSTRIAL / COMMERCIAL / DOMESTIC PRODUCTS



Roof Mounted Centrifugal Fans



Plate Axial Fans



Long Cased Axial Fans



Centrifugal Fans



In-Line Fans



Air Handling Units



Built-in Wall Fans



Window / Wall Fans



Toilet / Bathroom / Kitchen Fans

Vectaire Ltd
 Lincoln Road
 Cressex Business Park
 High Wycombe
 Buckinghamshire
 HP12 3RH
 Tel: +44 (0)1494 522333
 Fax: +44 (0)1494 522337
 Email: sales@vectaire.co.uk

